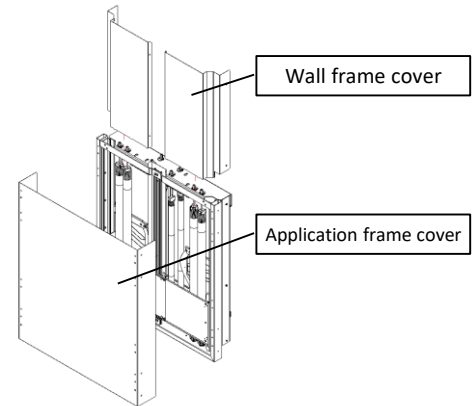
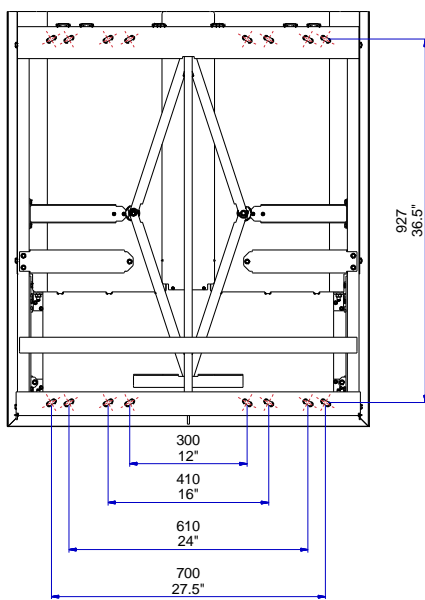




The BalanceBox® 650 manual height adjustable mount is the perfect solution to move your touchscreen *fast and effortless up and down*. The BalanceBox® 650 uses a *unique worldwide patented spring balance system*, and has a *weight capacity up to 162 kg (356 lbs)*.

Wall mounting hole dimensions
(10 mm fasteners and wall plugs not included):



Included in the package: BalanceBox® 650, multi-language manual, wall mounting bracket, steel wall frame cover (power coated) and fasteners, steel application frame cover (powder coated).

Not included (required for installation): 13 mm hex socket, flatscreen mounting interface, VESA bracket for BalanceBox® 650, fasteners for wall mounting (depending on the situation / condition of the wall).

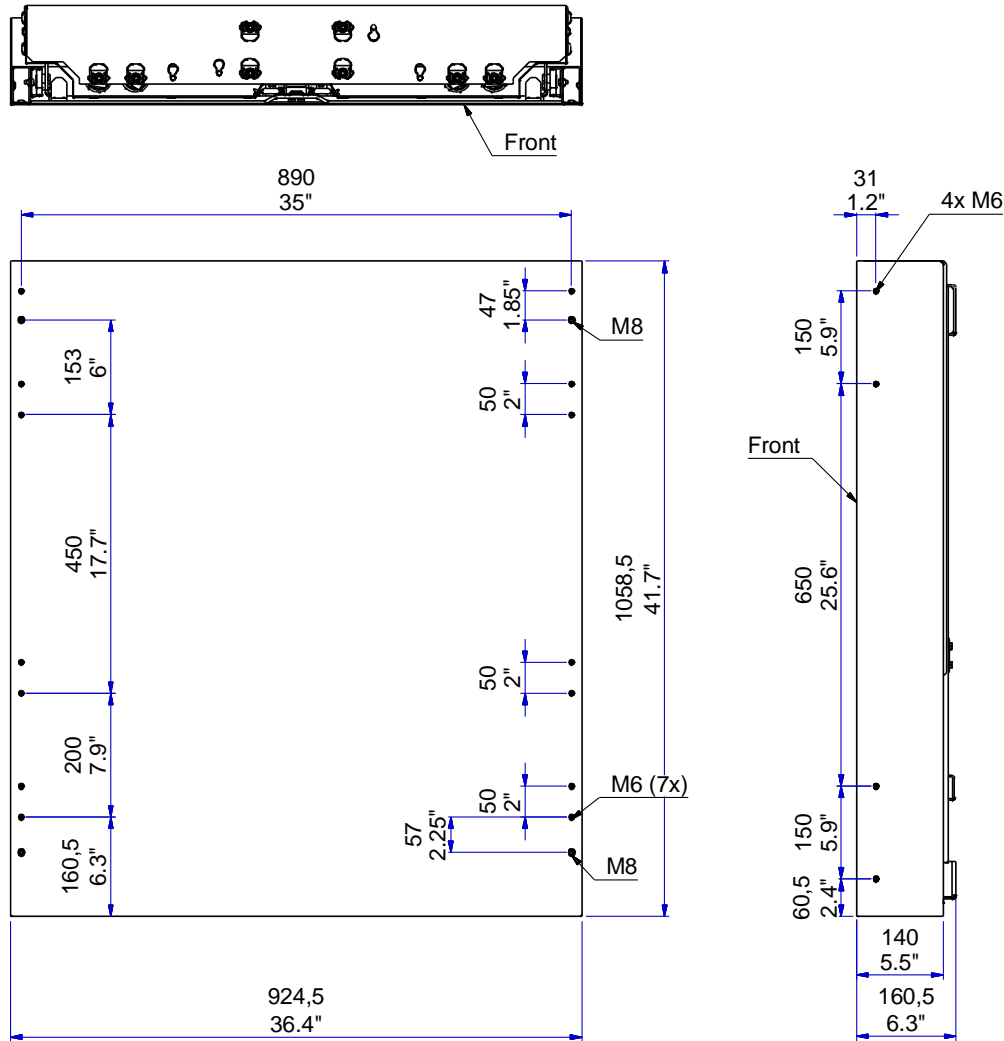
Part Number	Product Description	Details
BalanceBox® 650		
484A07	BalanceBox® 650 Light *	Weight Range: 34 – 68 kg 75 – 149.5 lbs **
484A08	BalanceBox® 650 Medium *	Weight Range: 67 – 127 kg 148 – 279 lbs **
484A09	BalanceBox® 650 Heavy *	Weight Range: 94 – 162 kg 207 – 356 lbs **
BalanceBox® 650 – Accessories		
481A70	Universal VESA Bracket	200x200 mm to 800x600 mm
481A13	BalanceBox® 650 Floor Support	For use with non-supporting wall structures
481A50	BalanceBox® 650 Mobile Stand	For use with BalanceBox® 650 mount
481A45	BalanceBox® 650 Extension Set (1m)	Extension set for BalanceBox® 650 floor support
481A59	BalanceBox® 650 Extension Set (0,5m)	Extension set for BalanceBox® 650 floor support
BalanceBox® 650 Winx®		
See Website	BalanceBox® 650 Winx 4, 4b, 6	Touchscreen Whiteboard Frame for 4 or 6 Writable Surfaces

* Including Wall Frame and Application Frame Cover

** Add the weights of your touchscreen, VESA bracket and accessories together, to determine which BalanceBox® 650 you need



Product Dimensions:



	Product Specifications		Shipping Dimensions	
Height	1058,5 mm	41.7 inch	1155 mm	45.5 inch
Width	924,5 mm	36.4 inch	1005 mm	39.6 inch
Depth	160,5 mm	6.3 inch	240 mm	9.4 inch
Weight	58 kg	127.6 lbs	75 kg	165 lbs
Material	Steel frame & covers - Powder coated for corrosion resistance - Grey RAL 7037			
Certification	CE and UL Recognized (UL-EN-ISO 60950)			