

newline



Projected
Capacitive



Highest
Security Level



Superior
Image Quality



Accurate
touch



Object
Recognition



Optical Bonding



Easy
Installation

AN OUTSTANDING INTERACTIVE DISPLAY DESIGNED FOR ENTERPRISE SECURITY

The IP Series is an interactive display for secure and intuitive collaboration. Immerse yourself in the outstanding interactivity of an optically bonded 4K display with P-cap touch technology and intelligent Object Recognition. With stronger network security, connect your team to the world without comprising sensitive information. The IP Series improves the quality and efficiency of your meetings in an easy to install package.

Newline IP Series features the following **optional** interactive ecosystem tools:

CAST

WORKSPACE

LAUNCHCONTROL

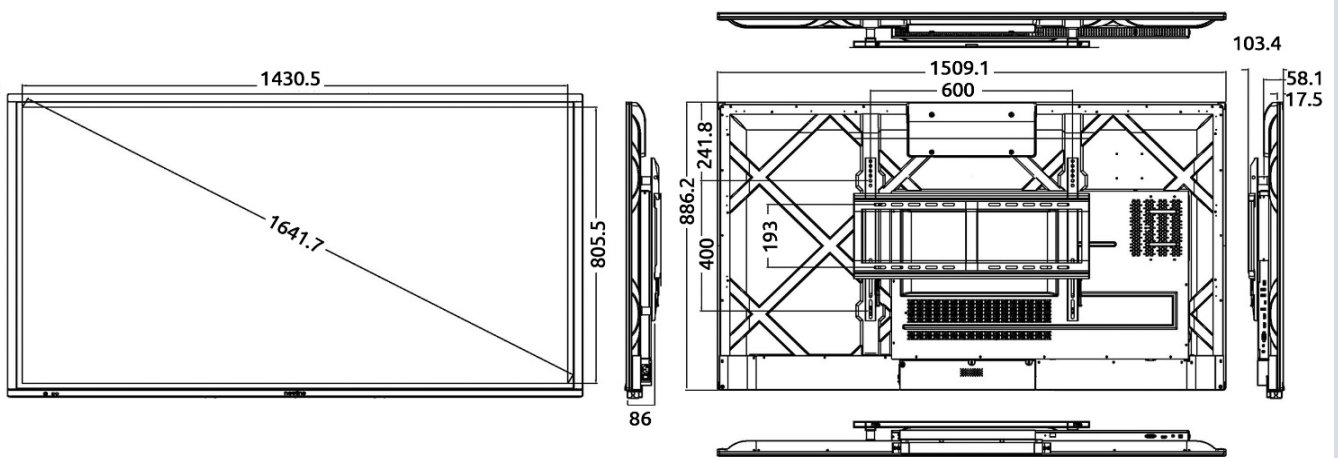
IP Series

IP Series

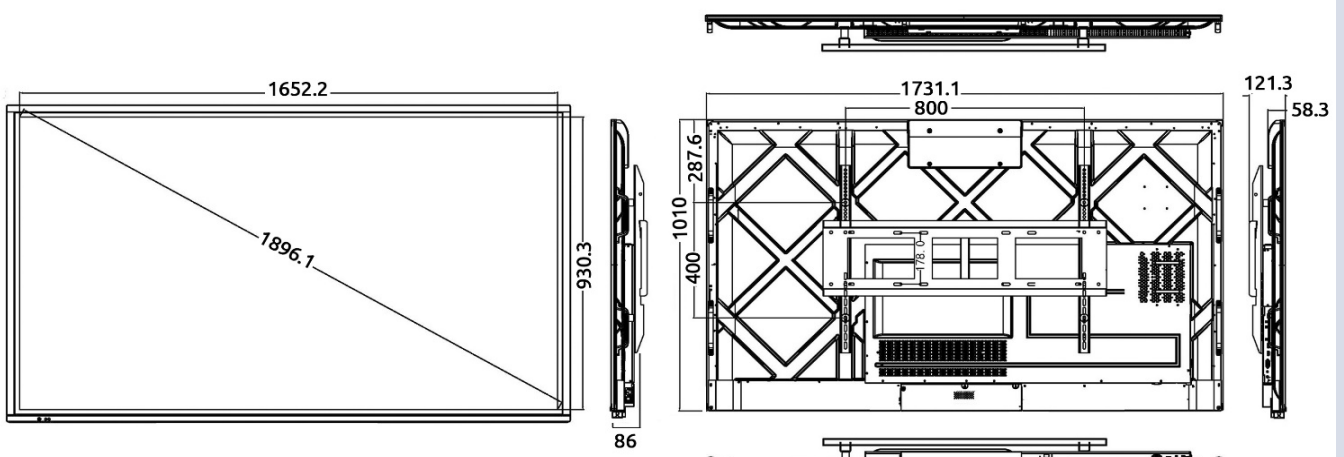
MODEL	TT-6519IP	TT-7519IP	TT-8619IP
Display			
Backlight	LED		
Active screen size	65"	75"	86"
Display ratio	16:9		
Resolution	3840 x 2160 Pixel (4K)		
Display colors	8 bit (1.07 billion)	10 bit (1.07 billion)	
Brightness	≥ 400cd/m2		
Contrast ratio (Dynamic)	4000:1		
Response time	8 ms		
Screen viewing angle	178°		
Life time	≥ 50,000 hours		
Touch			
Touch surface technology	Optical Bonding Tempered Anti-Glare Glass		
Transparency	88% ± 3		
Surface hardness	7H		
Touch sensor	Projective Capacitive Touch (P-cap)		
Touch points	20 Points		
Writing tools	Passive stylus, finger, fist		
Positioning accuracy	<1mm	<1mm	<1mm
Communication interface	USB		
Speaker			
Speaker position	Downward		
Rated impedance	8Ω		
Frequency response	180Hz-20kHz	180Hz-20kHz	180Hz-20kHz
Max. power output	15W x 2		
Electrical			
Power consumption supported	Maximum ≤300W	Maximum ≤400W	Maximum ≤450W
Working voltage	AC 100-240V, 50/60Hz		
Transportation / Storage			
Mounting (optional)	Wall-mounted / Floor Stand		
Outline dimension	1509 x 886 x 86 mm	1731 x 1010 x 86 mm	1977 x 1150 x 86 mm
Net weight	36 Kg	49 Kg	60 Kg
Gross weight	46,5 Kg	62 Kg	76 Kg
Packing dimensions	1640 x 221 x 1036 mm	1859 x 247 x 1136 mm	2119 x 275 x 1281 mm
VESA	600 x 400 mm	800 x 400 mm	800 x 400 mm
Ports			
AV inputs	HDMI 2.0 x 2; VGA x 1; USB-B (touch) x 1; VGA audio In x 1; USB-A 2.0; YPbPr x 1		
AV outputs	Jack out (earphones) x 1; AV out x 1		
OPS Slot	AVAILABLE/ 4K@60Hz		

Technical drawings

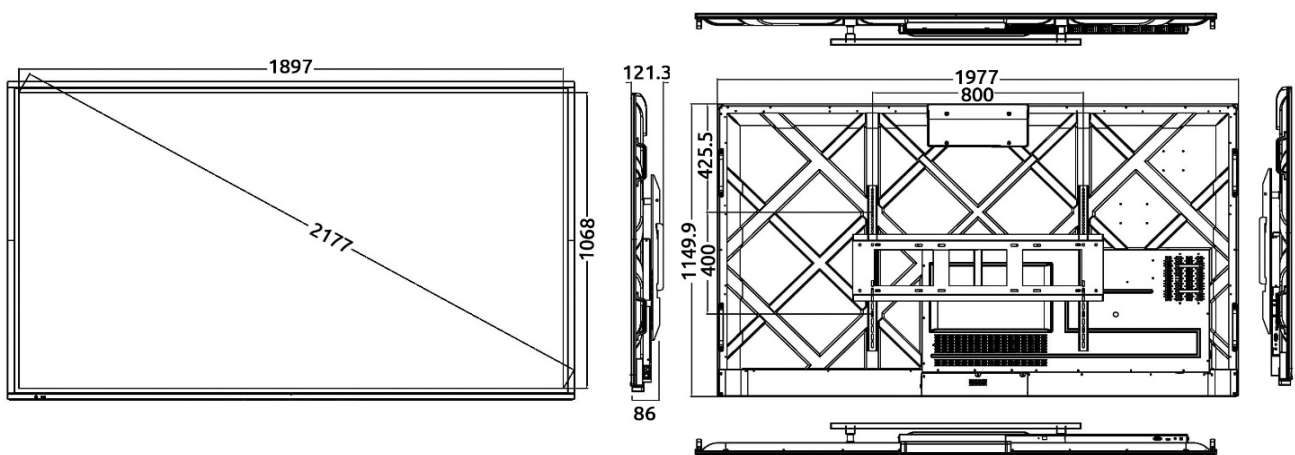
TT-6519IP



TT-7519IP



TT-8619IP



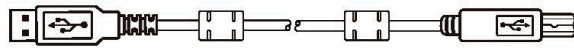
IP Series

Accessory Box Packing List

TT-6519IP

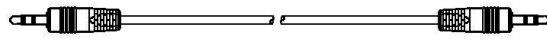
TT-7519IP

TT-8619IP



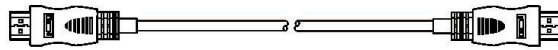
USB cable (A-B)

x1



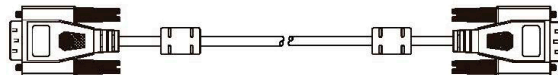
Audio cable

x1



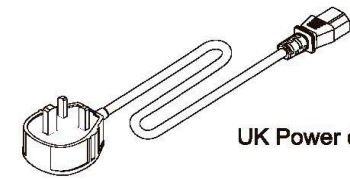
HDMI cable

x1



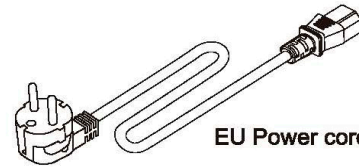
VGA cable

x1



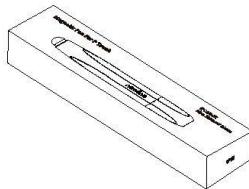
UK Power cord

x1



EU Power cord

x1



Magnetic Pen

x2



AAA Battery

x2



Screen Cleaning Kit

x1



Remote control

x1

newline

NEWLINE INTERACTIVE INC.

101 East Park Blvd.
Suite 807 Plano,
TX 75074, USA
TEL: +1 888 233 0868

EUROPE OFFICE

Ronda de Poniente, N°2, 1st floor,
Oficina 1B, 28760,
Tres Cantos, Madrid, Spain
TEL: +34 911169178
info_eu@newline-interactive.com

ASIA PACIFIC OFFICE

17F, No. 653, Bannan Rd.,
Zhonghe Dist., New Taipei City
235, Taiwan
TEL: +886 282282089

INDIA OFFICE

Room No. 203, No.37, TTK Road,
Alwarpet, Chennai,
Tamil Nadu, India, 600018
TEL: +91 44 46945513

www.newline-interactive.com